

FLOWSTAR® WIDE MOUTH SKIMMER AND FLOAT ASSEMBLY, BASKET, LID, ADJUSTABLE COLLAR FOR VINYL AND FIBERGLASS

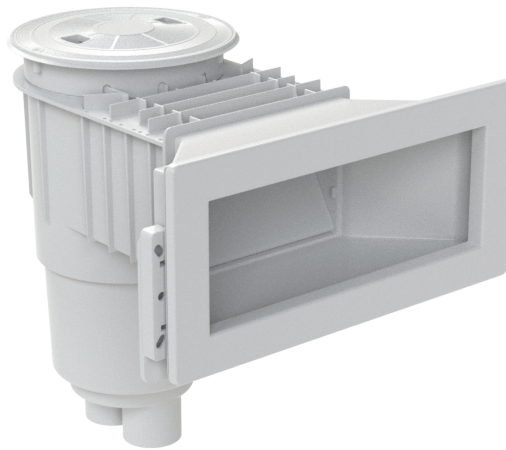
Built in conformance with NSF 50 and SPS 3 standards

FEATURES

Designed for commercial and residential use, 15 GPM min, 90 GPM max
 For steel and polymer vinyl wall applications and fiberglass
 Includes stainless steel hardware for all applications
 Adjustable collar
 Weir clip lock secures the clips in the weir door
 Large self-contained basket with lock-in feature (will not float)
 Pre-installed O-ring for float assembly
 Underwater dampers on the faceplate for noise reduction on weir plate – especially on windy days
 Super strong engineered polymer upper housing
 Extra heavy-duty PVC lower unit (does not require transitional glue)
 2½" outside slip; 2" inside slip (outside skimmer)
 2" threads for pressure testing (inside skimmer)
 Built-in overflow or fill line knock-out
 Upper housing has pre-cut rebar cutouts with pre-drilled holes for tie wire
 Additional box inside skimmer box for a basket, float assembly and weir plate (so assembly does not get lost on job site)
 Skimmer Lid and Collar G154 UV tested
 Optional custom name/logo engraved on the lid (requires minimum 500 piece lid order)
 1 per case

NEW

Two additional lid options available (sold separately):
 square or snap-in round/square



Optional vacuum plate with snap-in lug can be glued in under lid for easy storage p/n SK43101



Comes with easy clip spacers for steel wall applications

Part # SKR36xxx

STANDARD COLORS

- SKR36101 – White
- SKR36103 – Light Gray
- SKR36105 – Dark Gray

Snap-in Round/Square Lid and Collar (sold separately) p/n SK65xxx

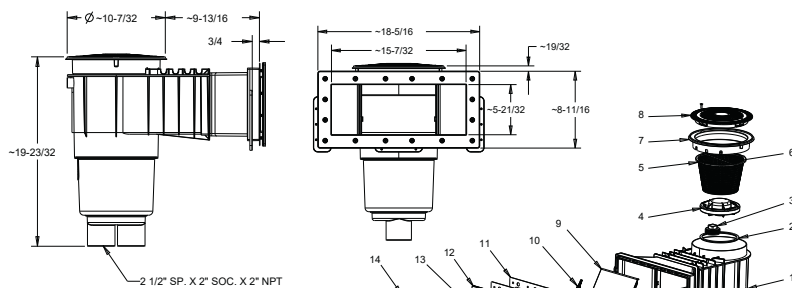
Also available without lid/collar (white only) p/n SKR36NL101

Also available with square lid and collar p/n SKR36xxx64xxx (second color code for lid color)

Also available bonded with square lid and collar p/n SKR37xxx64xxx (second color code for lid color)
 See page 131 for bonded option

NOTICE: For NSF certified skimmers, please contact your AquaStar Sales Representative. Lid, float valve, 4" socket, and 6" socket options are not NSF certified.

SPS 3 & NSF 50 Compliant



- | | |
|-------------------|--|
| 1. Skimmer body | 10. Weir Clip, Qty 2 |
| 2. O-Ring | 11. Gasket, Qty 2 |
| 3. 2" Port Plug | 12. Face Frame |
| 4. Float Assembly | 13. 12 x 1-1/4" Flat Head Phillips, 316 SS, Qty 16 |
| 5. Basket | 14. Decorative Cover |
| 6. Basket Rod | Also Included |
| 7. Collar | 15. 12 x 1-1/2" Pan Head Phillips, 316 SS, Qty 4 |
| 8. Lid | 16. 12 x 5/8" Pan Head Phillips, 316 SS, Qty 4 |
| 9. Weir Assembly | 17. Easy Clip Spacer, Qty 3 |

P 877-768-2717 F 877-276-POOL Outside the US: P +1-949-336-1940 F +1-949-336-1940
 info@aquastarpoolproducts.com www.aquastarpoolproducts.com

ADDITIONAL PRODUCT CONFIGURATIONS FOR SKR36XXX

9" Ultra Basket

Designed for commercial and residential use, 15 GPM min, 90 GPM max

Available 2" Socket Dual-Port, 4" Socket, 6" Socket, and Water Bonded

Example: SKRFL12B101D-L= White Water Bonded Flow Star Skimmer with 4" Socket Sump and 9" Ultra Basket

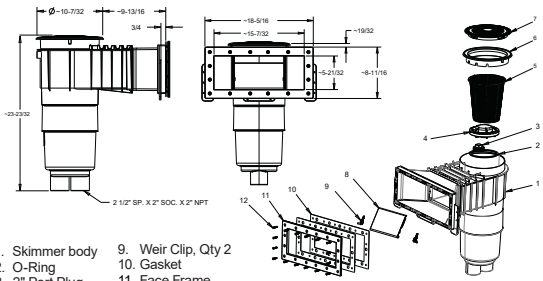
1 per case

STANDARD COLORS

- SKR36101-L – White
- SKR36103-L – Light Gray
- SKR36105-L – Dark Gray



Part # SKR36xxx-L



- | | |
|--------------------|--|
| 1. Skimmer body | 9. Weir Clip, Qty 2 |
| 2. O-Ring | 10. Gasket |
| 3. 2" Port Plug | 11. Face Frame |
| 4. Float Assembly | 12. 12 x 1-1/4" Flat Head Phillips, 316 SS, Qty 16 |
| 5. 9" Ultra Basket | <i>Also Included</i> |
| 6. Collar | 13. 5/8" Pan Head Phillips, 316 SS, Qty 4 |
| 7. Lid | 14. 1-1/2" Flat Head Phillips, 316 SS, Qty 4 |
| 8. Weir Assembly | 15. Decorative Cover |
| | 16. Easy Clip Spacer, Qty 3 |

Water Bonded

Designed for commercial and residential use, 15 GPM min, 90 GPM max

Bonding plate and copper wire connection meet NEC section 680.2 C. Conforms to UL 1081, UL 1563, CAN/CSA-C22.2

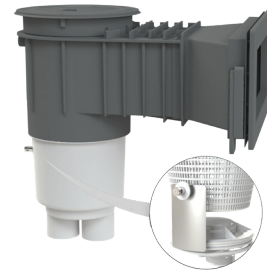
Bonding plate is safely placed behind the skimmer basket, for constant water contact, even when the pump is off

1 per case

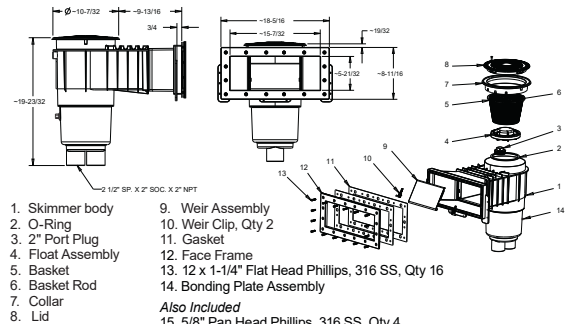
Also available with square lid and collar p/n SKR37xxx64xxx (second color code for lid color)

STANDARD COLORS

- 101
- 103
- 105



Standard Part # SKR36Bxxx 9" Ultra Basket Part # SKR36Bxxx-L



- | | |
|-------------------|--|
| 1. Skimmer body | 9. Weir Assembly |
| 2. O-Ring | 10. Weir Clip, Qty 2 |
| 3. 2" Port Plug | 11. Gasket |
| 4. Float Assembly | 12. Face Frame |
| 5. Basket | 13. 12 x 1-1/4" Flat Head Phillips, 316 SS, Qty 16 |
| 6. Basket Rod | 14. Bonding Plate Assembly |
| 7. Collar | <i>Also Included</i> |
| 8. Lid | 15. 5/8" Pan Head Phillips, 316 SS, Qty 4 |
| | 16. 1-1/2" Flat Head Phillips, 316 SS, Qty 4 |
| | 17. Decorative Cover |
| | 18. Easy Clip Spacer, Qty 3 |

ADDITIONAL PORT CONFIGURATIONS FOR SKR36XXX AND SKR36XXX-L

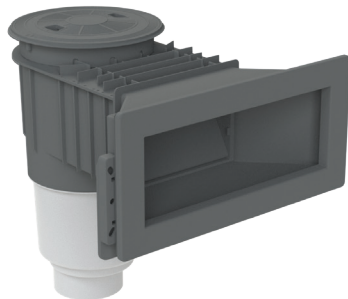
4" Socket Sump

Extra heavy duty PVC lower unit (no transitional glue required)

Standard Part # SKR36xxxD

9" Ultra Basket Part # SKR36xxxD-L

1 per case



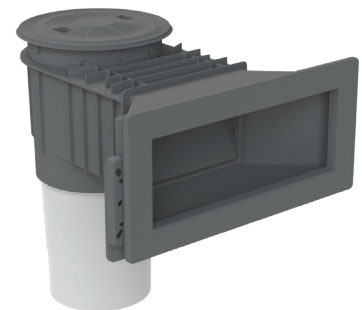
6" Socket Sump

Extra heavy duty PVC lower unit (no transitional glue required)

Standard Part # SKR36xxxF

9" Ultra Basket Part # SKR36xxxF-L

1 per case



VINYL BUILDER'S KITS - WIDE MOUTH SKIMMER WITH THREE-PIECE DECORATIVE FITTINGS



Convenient kits for vinyl pools and spas



ITEM DESCRIPTIONS

8MFSBVxxx

8" MoFlow® cover with vinyl ABS sump bucket

VGBA certified dual drain system, visit www.aquastarpoolproducts.com/flowcode for specifications

32CDFLVxxx

32" Channel Drain Flat Grate Suction Outlet Cover and ABS Three-Port Manufactured Sump for Vinyl

VGBA certified unblockable system, visit www.aquastarpoolproducts.com/flowcode for specifications

SKR36xxx64xxx

Flow Star wide mouth skimmer, flow assembly, basket, lid and adjustable collar

Designed for commercial and residential use, 15 GPM min, 90 GPM max

SKR37xxx64xxx

Flow Star wide mouth bonded skimmer, flow assembly, basket, lid and adjustable collar

Designed for commercial and residential use, 15 GPM min, 90 GPM max

SECxxx

3" skimmer extension collar

ES1408SLxx

4-Screw Vinyl Fitting with 1½" Socket

DCxxx

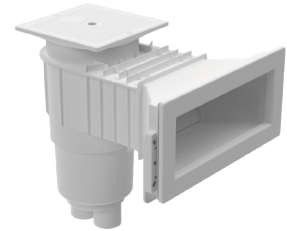
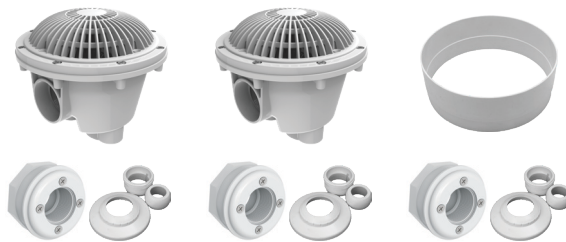
Three-Piece Decorative Cover

STANDARD COLORS

- 01 – White
- 03 – Light Gray
- 05 – Dark Gray



VGBA Dual Drain System



Wide Mouth

Standard Wide Mouth Skimmer Kit

- 8MFSBVxxx – qty 2
- SKR36xxx64xxx – qty 1
- SECxxx – qty 1
- ES1408SLxx – qty 3
- DCxxx – qty 3

Part # VBK18xx
1 per case

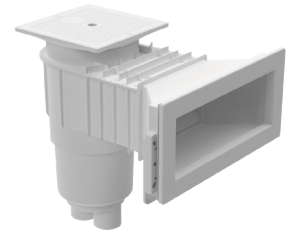
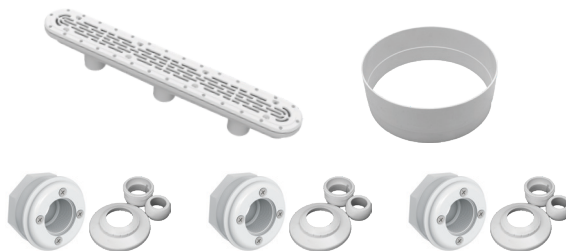
Bonded Wide Mouth Skimmer Kit

- 8MFSBVxxx – qty 2
- SKR37xxx64xxx – qty 1
- SECxxx – qty 1
- ES1408SLxx – qty 3
- DCxxx – qty 3

Part # VBK20xx
1 per case



VGBA Single-Unblockable Drain System



Wide Mouth

Standard Wide Mouth Skimmer Kit

- 32CDFLVxxx – qty 1
- SKR36xxx64xxx – qty 1
- SECxxx – qty 1
- ES1408SLxx – qty 3
- DCxxx – qty 3

Part # VBK19xx
1 per case

Bonded Wide Mouth Skimmer Kit

- 32CDFLVxxx – qty 1
- SKR37xxx64xxx – qty 1
- SECxxx – qty 1
- ES1408SLxx – qty 3
- DCxxx – qty 3

Part # VBK21xx
1 per case

VINYL BUILDER'S KITS - WIDE MOUTH SKIMMER WITH FLUSH EYEBALL KITS



Convenient kits for vinyl pools and spas



ITEM DESCRIPTIONS

8MFSBVxxx

8" MoFlow cover with vinyl ABS sump bucket

VGBA certified dual drain system, visit www.aquastarpoolproducts.com/flowcode for specifications

32CDFLVxxx

32" Channel Drain Flat Grate Suction Outlet Cover and ABS Three-Port Manufactured Sump for Vinyl

VGBA certified unblockable system, visit www.aquastarpoolproducts.com/flowcode for specifications

SKR36xxx64xxx

Flow Star wide mouth skimmer, flow assembly, basket, lid and adjustable collar

Designed for commercial and residential use, 15 GPM min, 90 GPM max

SKR37xxx64xxx

Flow Star wide mouth bonded skimmer, flow assembly, basket, lid and adjustable collar

Designed for commercial and residential use, 15 GPM min, 90 GPM max

SECxxx

3" skimmer extension collar

ES1408SLxx

4-Screw Vinyl Fitting with 1½" Socket

JOxxx

Flush Retrofit eyeball

STANDARD COLORS

- 01 - White
- 03 - Light Gray
- 05 - Dark Gray



VGBA Dual Drain System



Standard Wide Mouth Skimmer Kit

- 8MFSBVxxx – qty 2
- SKR36xxx64xxx – qty 1
- SECxxx – qty 1
- ES1408SLxx – qty 3
- JOxxx – qty 3

Part # VBK24xx
1 per case

Bonded Wide Mouth Skimmer Kit

- 8MFSBVxxx – qty 2
- SKR37xxx64xxx – qty 1
- SECxxx – qty 1
- ES1408SLxx – qty 3
- JOxxx – qty 3

Part # VBK22xx
1 per case



VGBA Single-Unblockable Drain System



Standard Wide Mouth Skimmer Kit

- 32CDFLVxxx – qty 1
- SKR36xxx64xxx – qty 1
- SECxxx – qty 1
- ES1408SLxx – qty 3
- JOxxx – qty 3

Part # VBK25xx
1 per case

Bonded Wide Mouth Skimmer Kit

- 32CDFLVxxx – qty 1
- SKR37xxx64xxx – qty 1
- SECxxx – qty 1
- ES1408SLxx – qty 3
- JOxxx – qty 3

Part # VBK23xx
1 per case

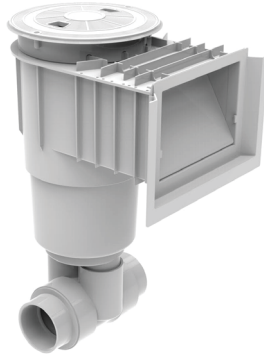
SKIMMER ACCESSORIES

STANDARD COLORS 101 102 103 105 108

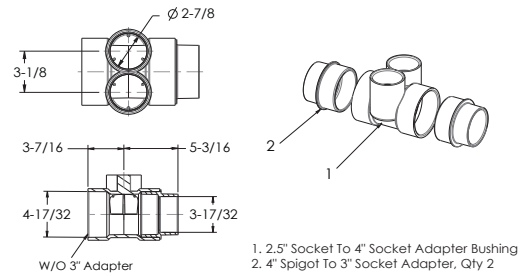
Adaptor Bushing

FEATURES

Eliminates the need to reduce down 4" or 3" plumbing when connecting to a skimmer with a dual-port PVC sump
 Converts two 2½" spigot to 4" or 3" T
 Includes two 4" x 3" reducer bushings
 Shown as an example only – parts are sold separately
 1 per case



Part # SKR1xx with BFB101



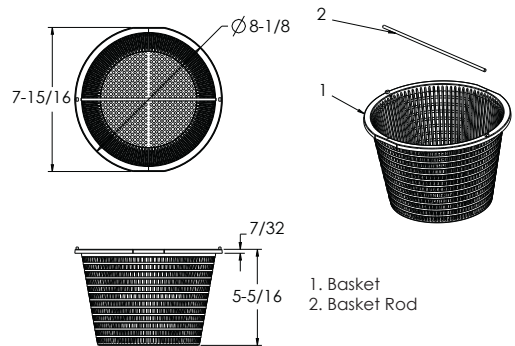
Skimmer Basket

FEATURES

Polypropylene basket locks in to remain in place during on and off pump cycles
 Fits all standard skimmers
 50 per case



Part # SK6



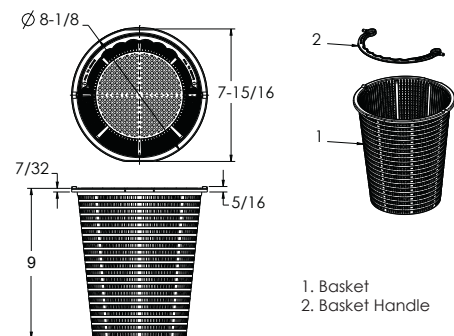
9" Ultra Skimmer Basket

FEATURES

9" polypropylene Ultra Basket locks in to remain in place during on and off pump cycles
 Fits all 9" Ultra Basket models
 50 per case



Part # SK96



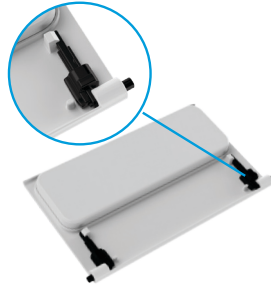
SKIMMER ACCESSORIES

STANDARD COLORS 101 102 103 105 108

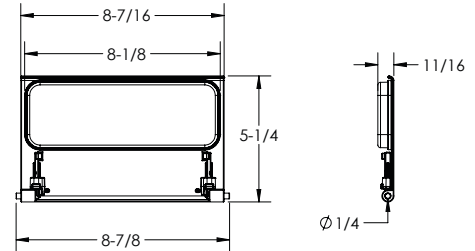
Weir Plate Assembly for Standard & Vinyl/Fiberglass Skimmers

FEATURES

Includes weir clip locks to secure weir clips in place
Also available only weir clips, part # SK902
24 per case



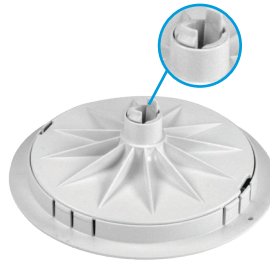
Part # SKWDxxx



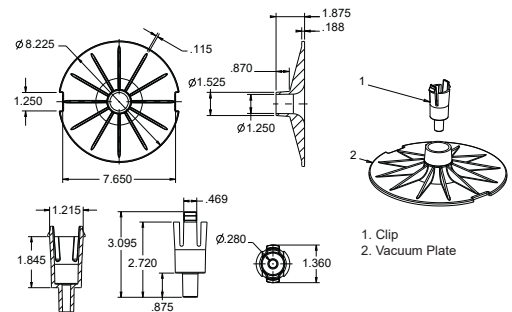
Vacuum Plate

FEATURES

Snaps under skimmer lid for easy storage
White only
25 per case



Part # SK43101



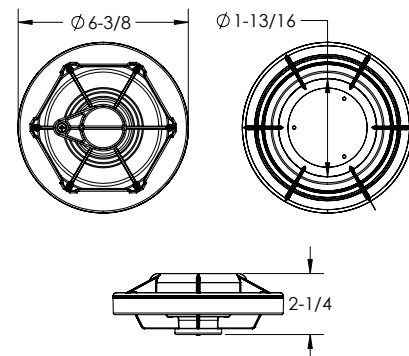
Float Assembly

FEATURES

Includes O-ring gasket and flow adjustment flap
White only
24 per case



Part # SKFL101



SKIMMER ACCESSORIES

STANDARD COLORS 101 102 103 105 108

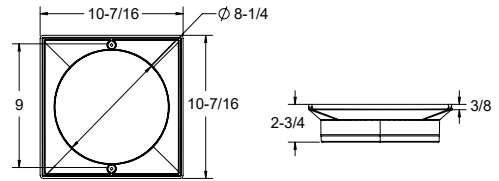
Square Skimmer Collar

FEATURES

Adjustable collar levels out uneven surfaces
Fits AquaStar and most standard skimmers=
6 per case



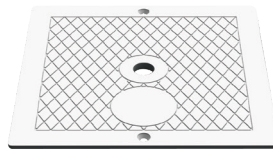
Part # SK61xxx



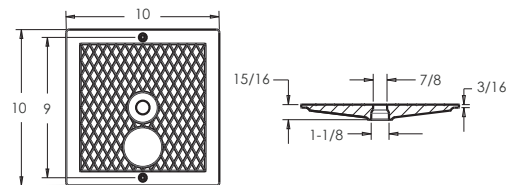
Square Skimmer Lid

FEATURES

UV tested to latest standard
Optional custom name/logo insert p/n SK63xxxA (minimum 500-piece order)
Fits AquaStar and most standard square skimmer collars
24 per case



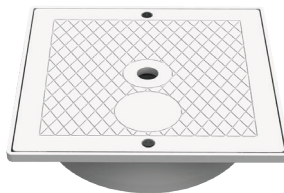
Part # SK63xxx



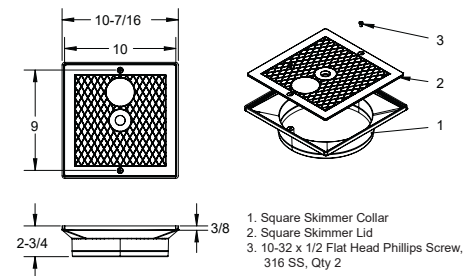
Square Skimmer Lid and Collar

FEATURES

UV tested to latest standard features
Optional custom name/logo insert p/n SK64xxxA (minimum 500 piece order)
Fits AquaStar and most standard skimmers
6 per case



Part # SK64xxx



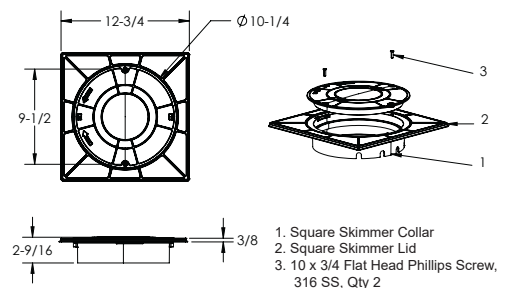
Round/Square Snap-in Lid and Collar

FEATURES

Round lid snaps into square housing
UV tested to latest standard
Optional custom name/logo insert p/n SK65xxxA (minimum 500-piece order)
Fits AquaStar and most standard skimmers
8 per case



Part # SK65xxx



SKIMMER ACCESSORIES

STANDARD COLORS 101 102 103 105 108

Round Skimmer Lid

FEATURES

UV tested to latest standard

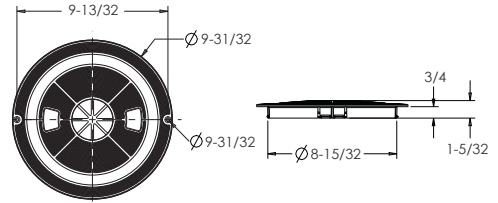
Optional custom name/
logo insert p/n RTxxxA
(min 500 piece order)

Fits AquaStar and most standard round
skimmer collars

25 per case



Part # RTxxx



Adjustable Round Skimmer Collar

FEATURES

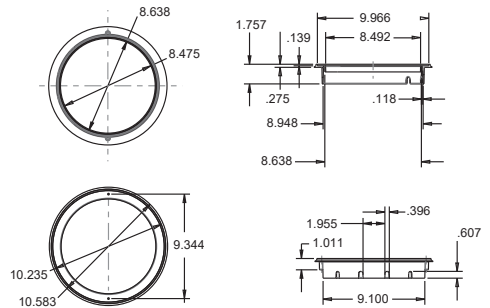
Adjustable collar levels
out uneven surfaces

Fits AquaStar and most standard
skimmers

20 per case



Part # SK5xxx



Round Skimmer Lid and Collar

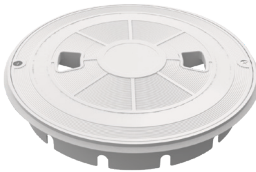
FEATURES

UV tested to latest standard

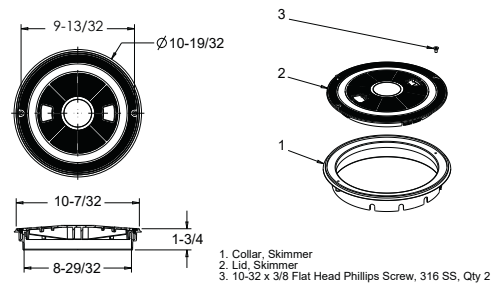
Optional custom name/logo insert p/n
SKRTxxxA (min 500 piece order)

Fits AquaStar and most standard
skimmers

25 per case



Part # SKRTxxx



3" Skimmer Extension Collar

FEATURES

Stack multiple collars to reach desired
deck or bond beam height

Fits into AquaStar and most standard
round skimmer collars

20 per case



Part # SECxxx

